

BEFORE YOU BEGIN

Remove the packaging screws on the back of the hood first. They are clearly marked with flagging tape.



When installing a liner/blower we recommend that you install the liner/blower before hanging on your wall. Failure to do so, may result in a very difficult installation.

Watch this video made by our friends at appliance educator here.

You should choose a licensed electrician, and/or HVAC Contractor, and a cabinet installation professional to assist with the install. Above all, ensure you are meeting all building codes in your area. While this installation is not difficult, you must have electrical, ventilation, and finish carpentry skills. You may need to cut, sand, chisel, and other basic woodworking functions to complete the install. Hoodsly.com is not responsible for the install, or for lack of comprehension of the installation process.

When installing a liner/blower we recommend that you install the liner/blower before hanging on your wall.

Failure to do so, may result in a very difficult installation.

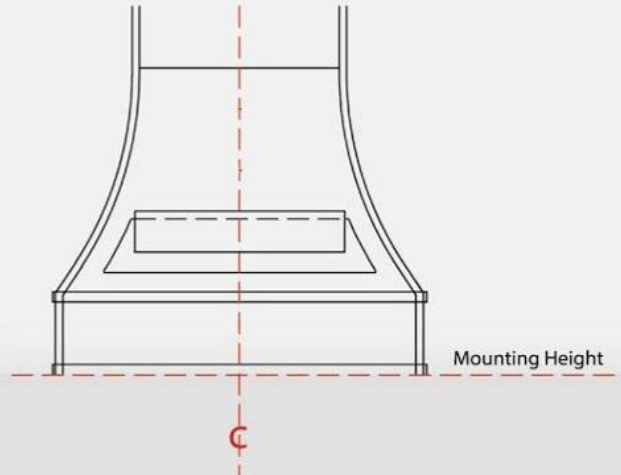
You as the installer are responsible to make sure you leave appropriate clearances above your range hood and below.

The installation instructions below are general guidelines. Your installation may be different, may or may not require adhesive, and may or may not require pin nailing.

INSTALLATION

Remove the packaging screws on the back of the hood first. **When installing a liner/blower we recommend that you install the liner/blower before hanging on your wall. Failure to do so, may result in a very difficult installation.**

1 Identify the center point of the hood and the mounting height (mark a level line where the bottom of the hood will be), see right.



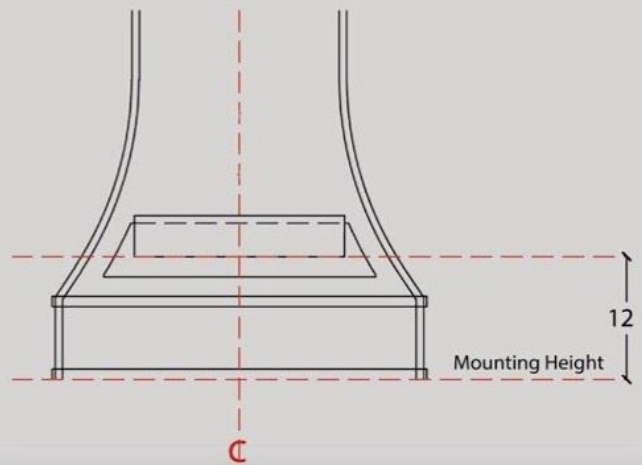
2 Locate and mark at least two studs for mounting.

3 Identify and mark center of the mounting cleat, see right.

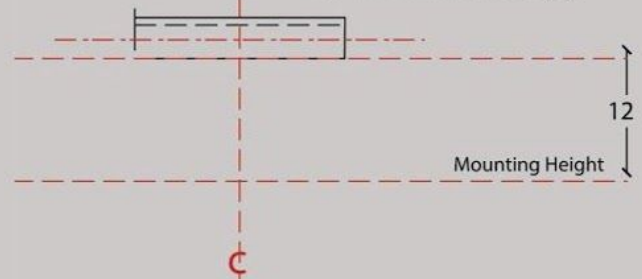


4 Mark a level line 12" above the desired mounting height, see right.

5 Mount cleat using screws no less than 2 1/2", see bottom right.



Mount cleat using screws into available stud(s)



CONTACT

Hoodsly

www.hoodsly.com

hello@hoodsly.com

TOLL FREE (877) 847-0405

M-F 9:00AM - 5:00PM EST

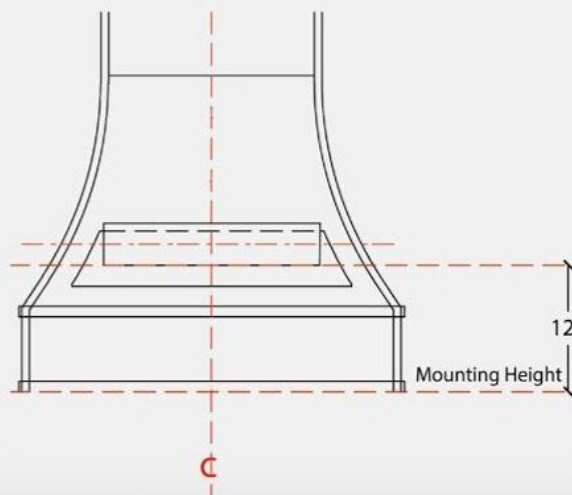
Made in the U.S.A



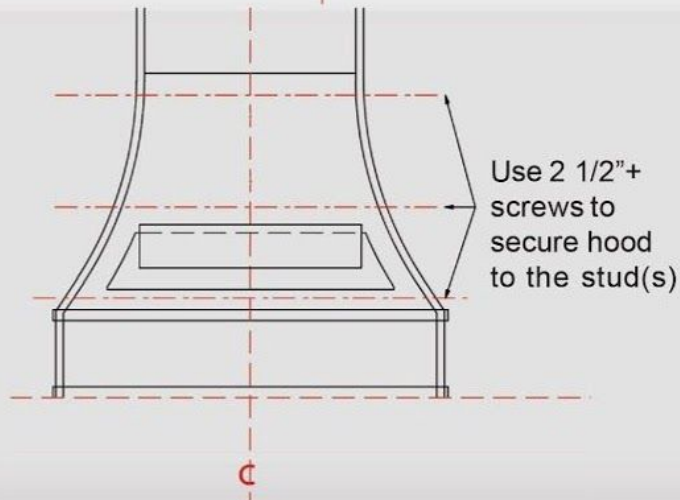
*Patent pending 2 piece construction

INSTALLATION

6 Hang hood apron onto cleat, adjust the center, and ensure a leveled positioning, see right. Mount cleat on a horizontal line into stud(s).

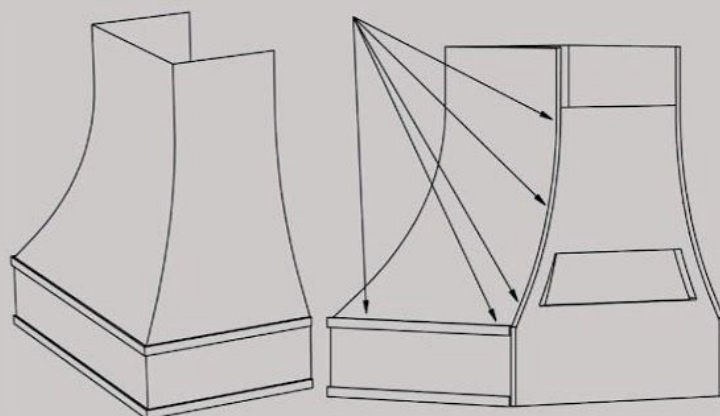
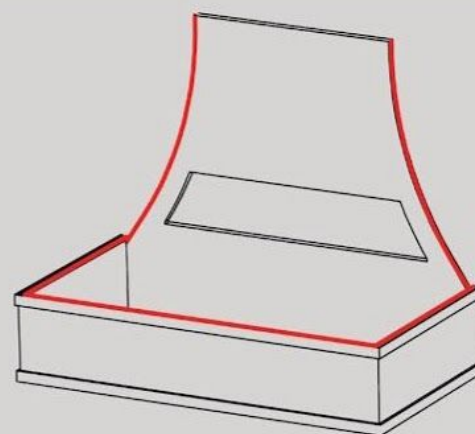


7 Fasten the apron back using more screws (2 1/2"+), see right.



8 Make ventilation connections before moving onto step 9.

9 Apply adhesive as shown in red, see right. Then, install chimney and fasten using 21 gauge nails for positioning as shown below.



CONTACT

Hoodsly

www.hoodsly.com

hello@hoodsly.com

TOLL FREE (877) 847-0405

M-F 9:00AM - 5:00PM EST

Made in the U.S.A



*Patent pending 2 piece construction

